

INSTALLER'S MANUAL

PRODUCT REFERENCES

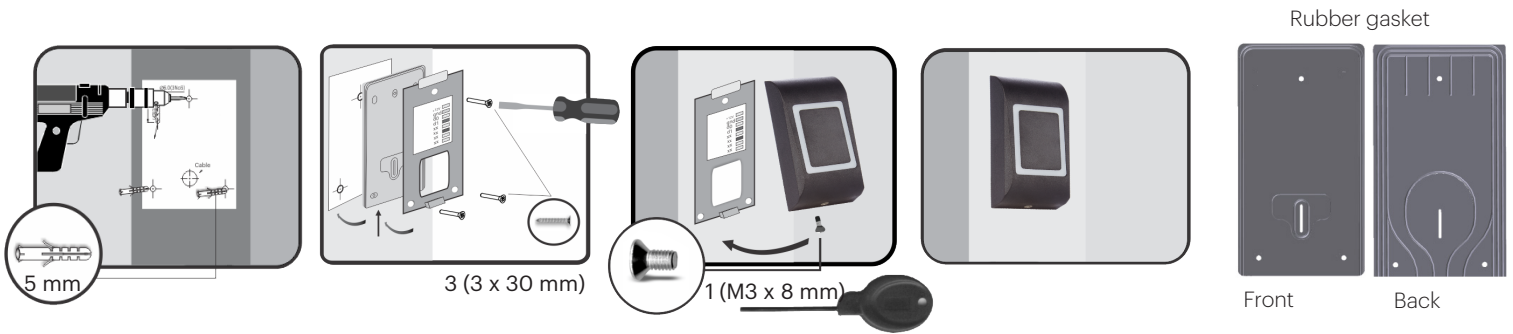


INF-SQK-MF-0
INF-SQK-MF-W

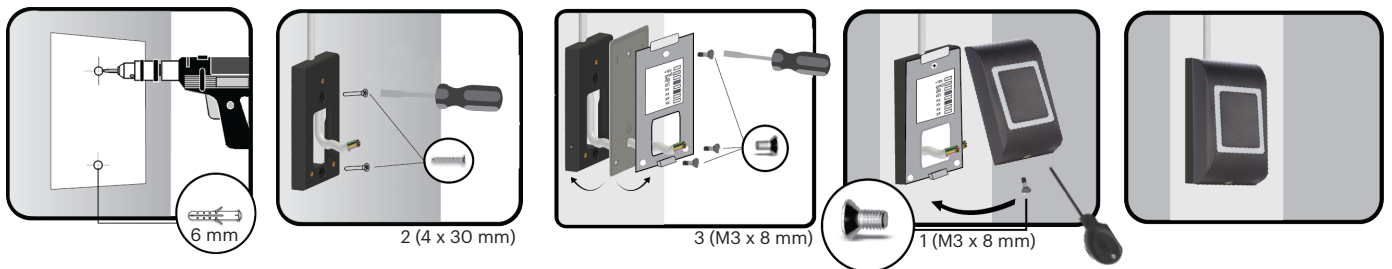


INF-SQ-MF-0
INF-SQ-MF-W

MOUNTING



MOUNTING WITH MT-SPACER



FERRITE CORE MOUNTING

To reduce the EMI, wrap the wires (remove the outer sheath of the cable) around the ferrite core (1 turn). Reference: 74270031 WURTH ELEKTRONIK.

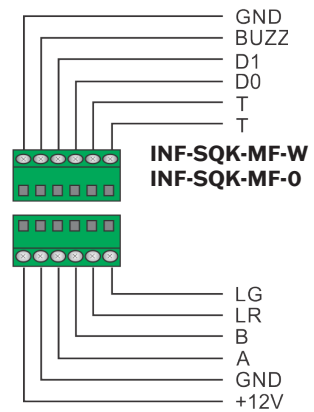
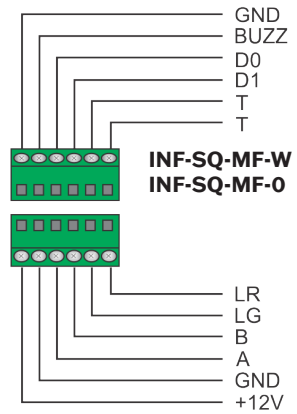
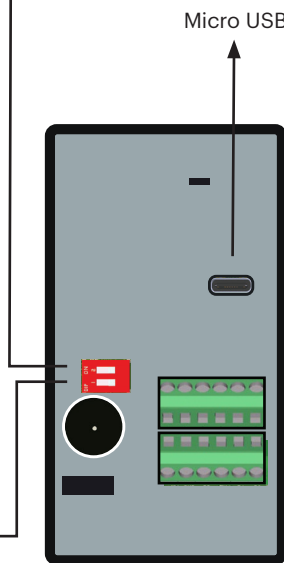


TERMINAL BLOCKS AND DIPSWITCH

SCBK Reset: Power the reader. Set DIP Switch 1 to ON and in less than 5 sec set it back to OFF position



Switch 2: RS-485 120 OHM termination



TERMINALS

TERMINALS	DESCRIPTION	OSDP CONFIGURATION	WIEGAND CONFIGURATION
A	RS-485 line/	RS-485 A (+)	X
B	RS-485 line	RS-485 B (-)	X
D0	Output	X	D0
D1	Output	X	D1
LG	Input	X	Green LED Input
LR	Input	X	Red LED Input
BUZZ	Input	X	Buzzer input
+12 V	Power Supply/	✓	✓
GND	Ground	✓	✓
T	Tamper Autoprotection	X (Tamper state is reported by RS-485)	✓

WIRING

WIRING	DESCRIPTION	OSDP CONFIGURATION	WIEGAND CONFIGURATION
Max length	Cable Length	1200 m	150 m
CABLING	Recommended cable type	Multiconductor cable 2 twisted pair with shielding	Untwisted, shielded, 0.22 mm ² min. For longer distance above 20 m use larger diameter.

SIGNALISATION

SIGNALISATION	DESCRIPTION	OSDP CONFIGURATION	WIEGAND CONFIGURATION:
Reader ON-LINE	Reader is in communication with controller	Managed by Controller	Managed by Controller
Reader OFF-LINE	Reader lost communication with controller	Red LED Blinks fast	X

CONFIGURATION SOFTWARE

Product Manager

In order to get a special configuration or change the default settings, contact us at sales@3xlogic.com

ACCESSORIES

INF-MC-MINI

Mini Metal Covers



INF-USP-BK

Mounting Plate



INF-MT-SPACER

Surface Mount Spacer



July14, 2025 11:01 AM